

TDVision Part 2. The “ImmersiON-VRelia GO”

TDVision, a pioneer in the development of 3D Virtual Reality technology, created a spinoff company, ImmersiON, to develop Virtual Reality Head Mounted Displays (HMD). ImmersiON partnered with a startup, Vrelia, that owns a great concept for turning a smartphone into a VR-HMD, and ImmersiON-VRelia was formed.

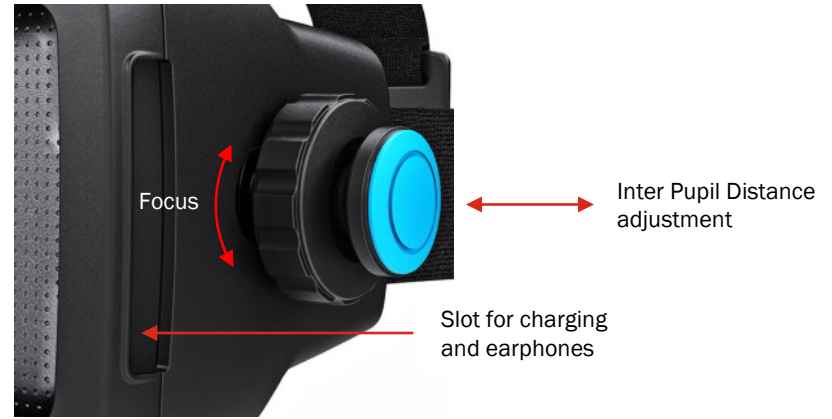
Due to the success of our previous collaboration on the TDVisor HMD, ImmersiON-VRelia engaged DiMonte Group to design and engineer a commercially viable version of this new device, the ImmersiON-VRelia GO.



The challenge.

With a tight deadline of 6 weeks to design, engineer, and deliver 25+ Pre-Production demonstration models for NASA's Ames Research Center 75th Anniversary Open House, DiMonte Group built upon knowledge from the TDVisor program to create an ergonomic HMD with precision mechanisms for optical adjustment.

We delivered a manufacturing-ready product, compatible with 7 of the leading smart phones on the market, on time and on budget.



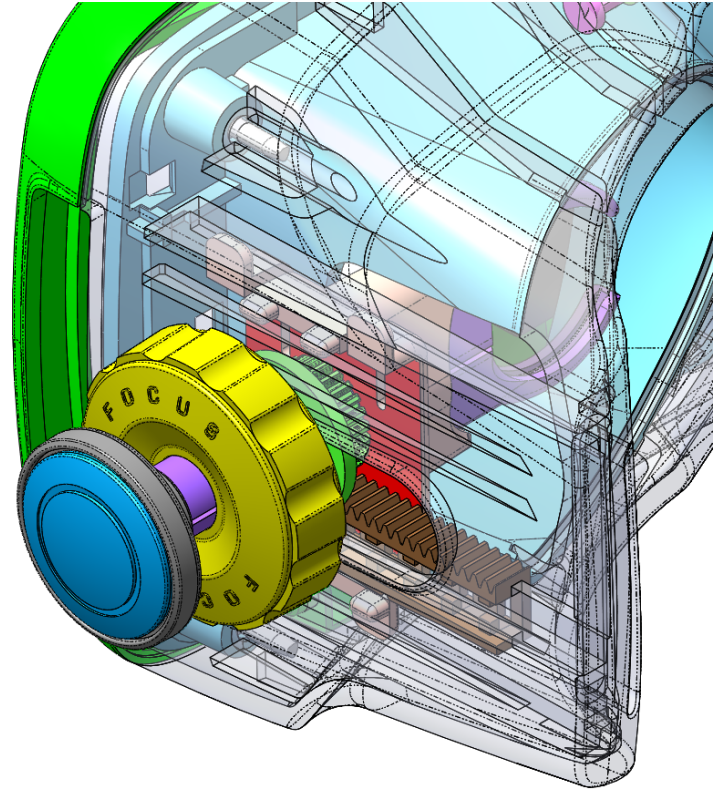
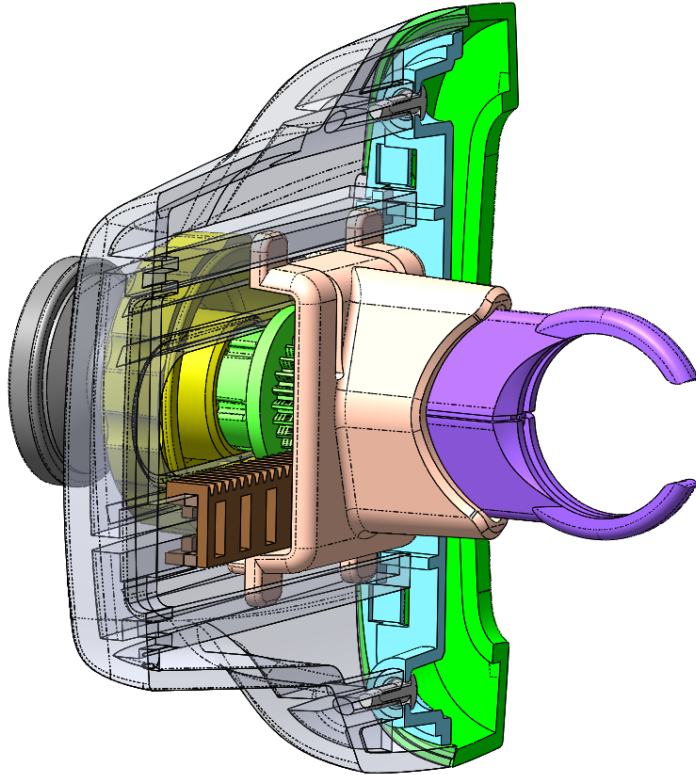
Industrial Design
Design Engineering

30W125 Youghal Rd
Warrenville, IL, 60555

630-791-8074 telephone
www.dimontegroup.com

Mechanism design.

Common components for left and right eye mechanisms eliminate redundant tooling costs.



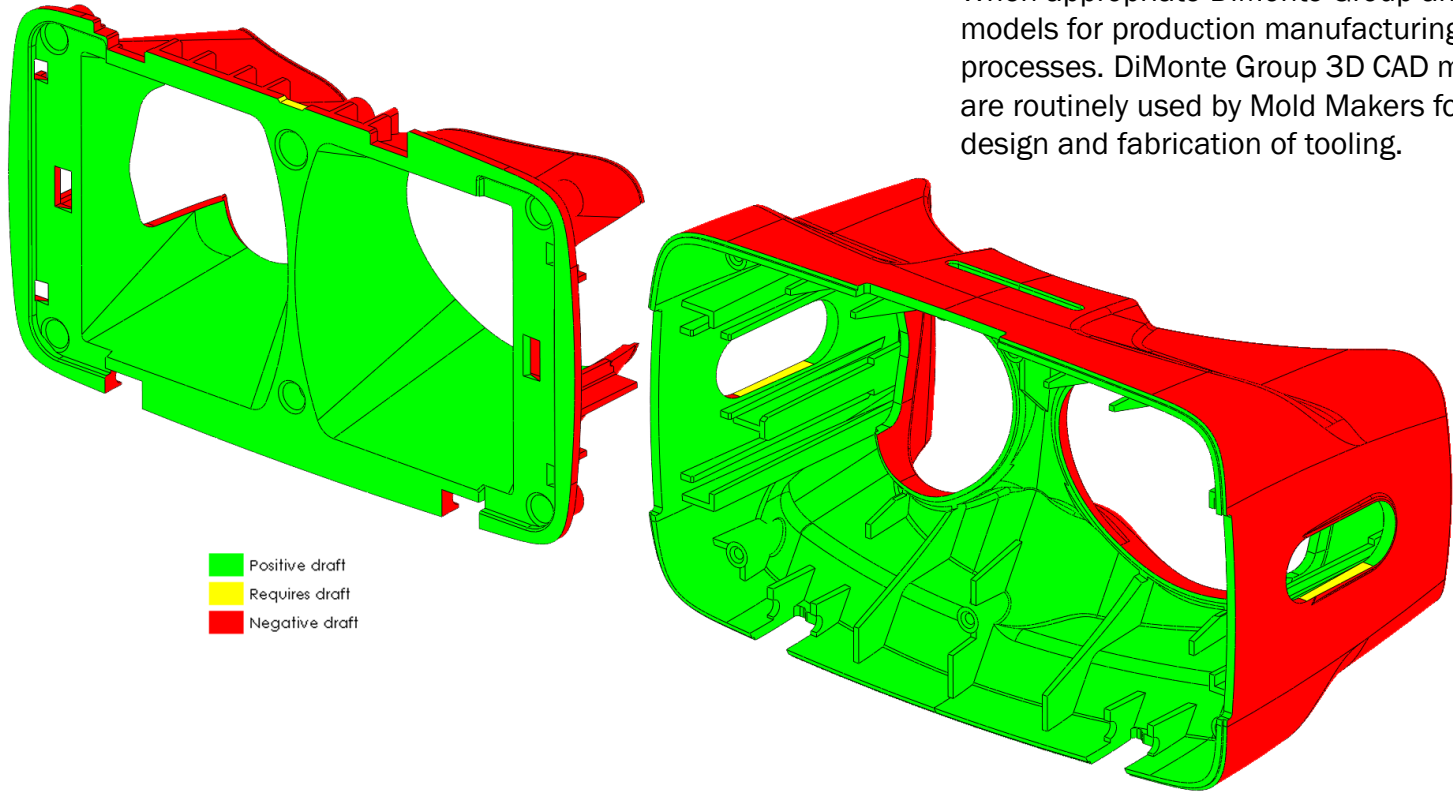
Industrial Design
Design Engineering

30W125 Youghal Rd
Warrenville, IL, 60555

630-791-8074 telephone
www.dimontegroup.com

Production Tool Ready CAD for Manufacturing.

When appropriate DiMonte Group always models for production manufacturing processes. DiMonte Group 3D CAD models are routinely used by Mold Makers for design and fabrication of tooling.



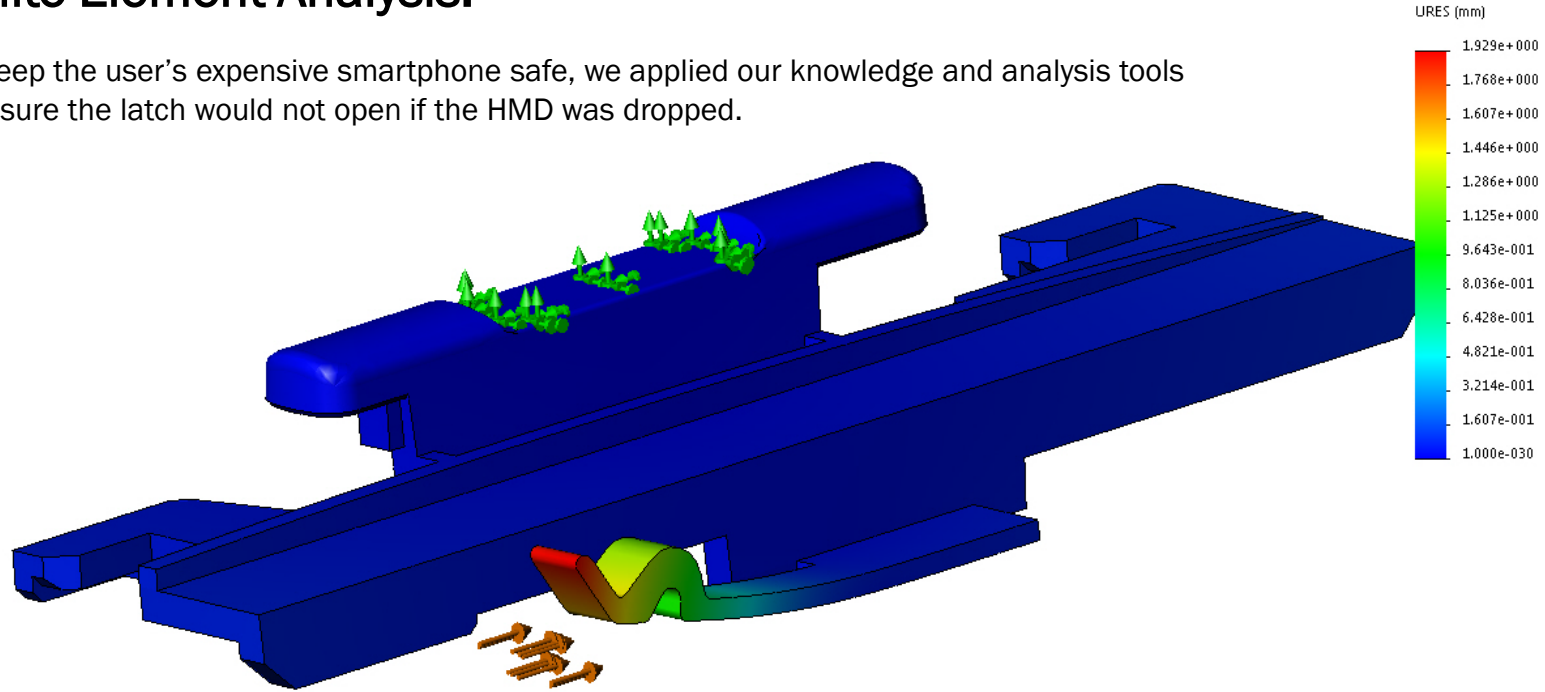
Industrial Design
Design Engineering

30W125 Youghal Rd
Warrenville, IL, 60555

630-791-8074 telephone
www.dimontegroup.com

Finite Element Analysis.

To keep the user's expensive smartphone safe, we applied our knowledge and analysis tools to insure the latch would not open if the HMD was dropped.

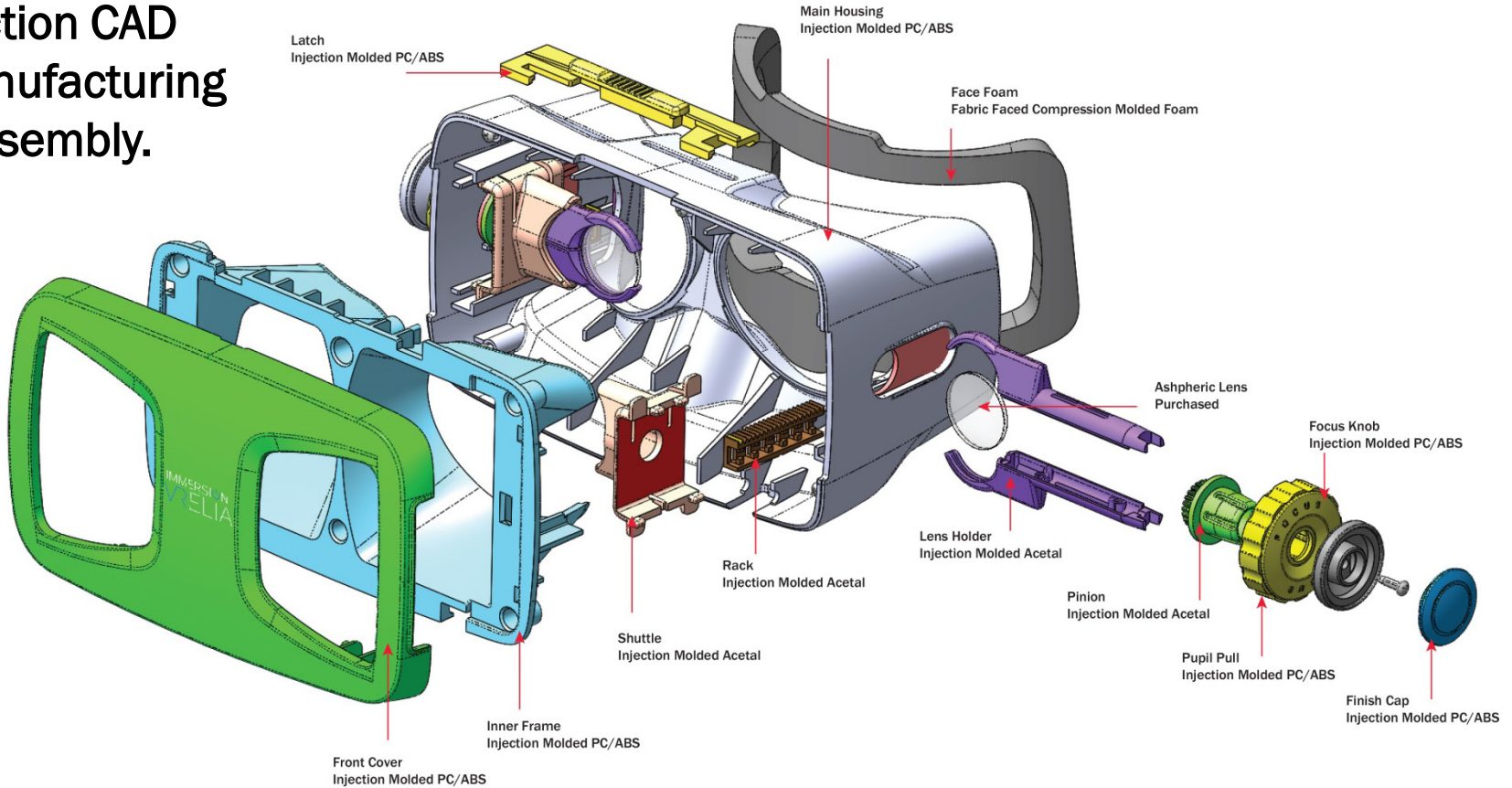


Industrial Design
Design Engineering

30W125 Youghal Rd
Warrenville, IL, 60555

630-791-8074 telephone
www.dimontegroup.com

Production CAD for Manufacturing and Assembly.



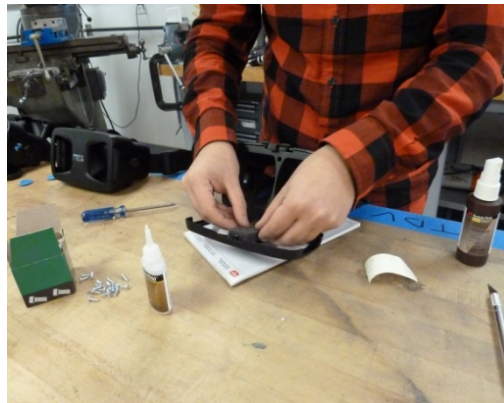
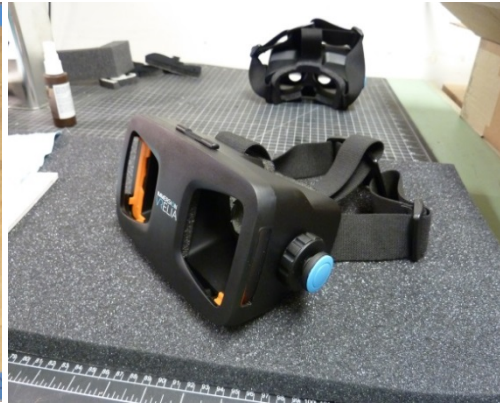
Industrial Design
Design Engineering

30W125 Youghal Rd
Warrenville, IL, 60555

630-791-8074 telephone
www.dimontegroup.com

Short run production.

Soft-tooled components for shows and sales samples



Industrial Design
Design Engineering

30W125 Youghal Rd
Warrenville, IL, 60555

630-791-8074 telephone
www.dimontegroup.com

Realistic Rendering.

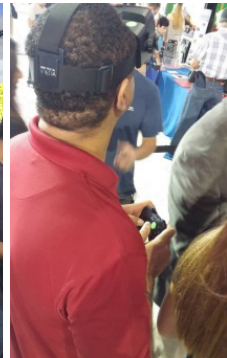


Industrial Design
Design Engineering

30W125 Youghal Rd
Warrenville, IL, 60555

630-791-8074 telephone
www.dimontegroup.com

NASA AMES Research Center 75th Anniversary Open House: Oct.17, 2014. Tigerdirect.com Tiger Tech Bash. November 7, 2014



Industrial Design
Design Engineering

30W125 Youghal Rd
Warrenville, IL, 60555

630-791-8074 telephone
www.dimontegroup.com

CES 2015.



BEST OF CES 2015



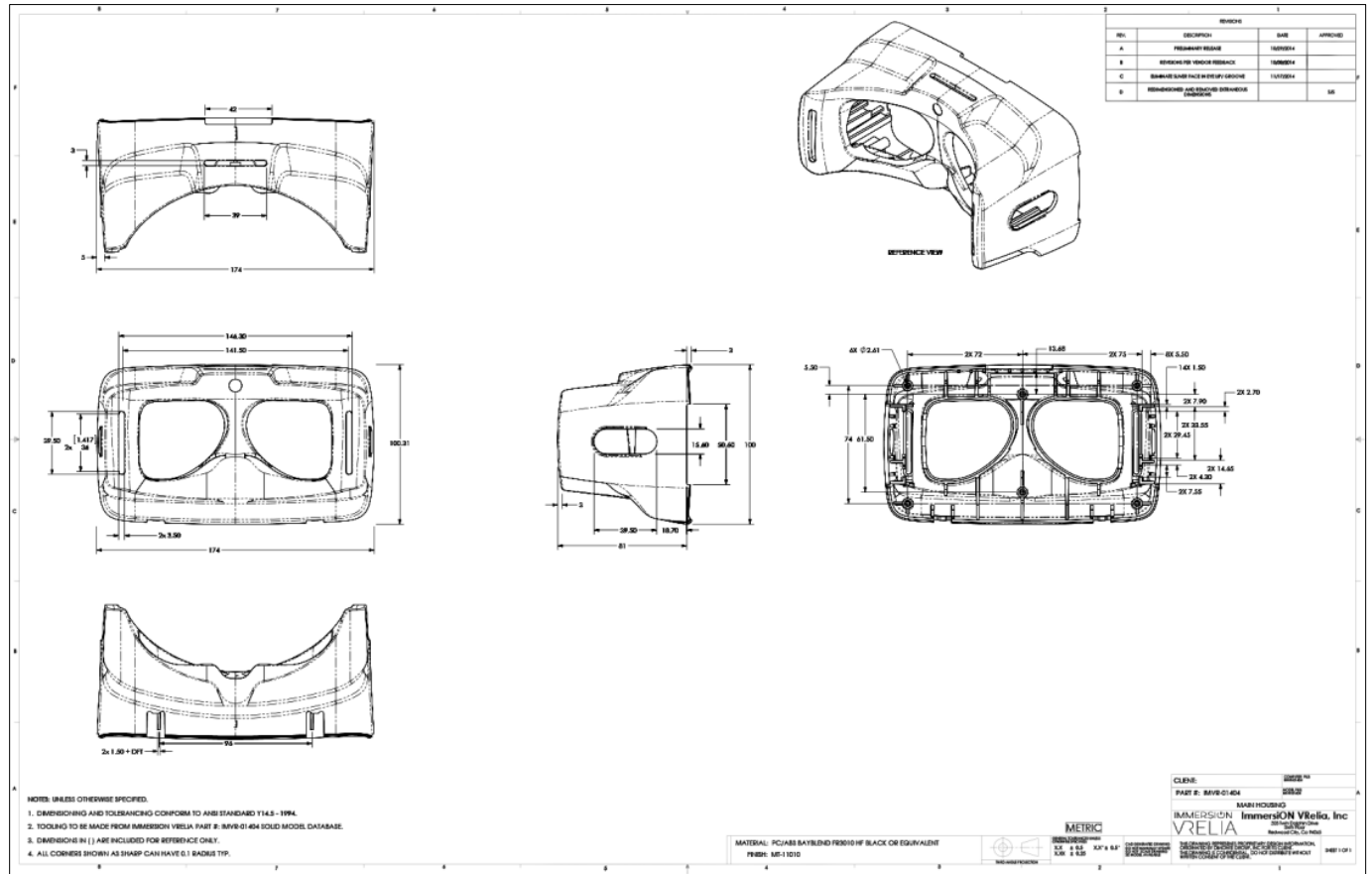
Industrial Design
Design Engineering

30W125 Youghal Rd
Warrenville, IL, 60555

630-791-8074 telephone
www.dimontegroup.com

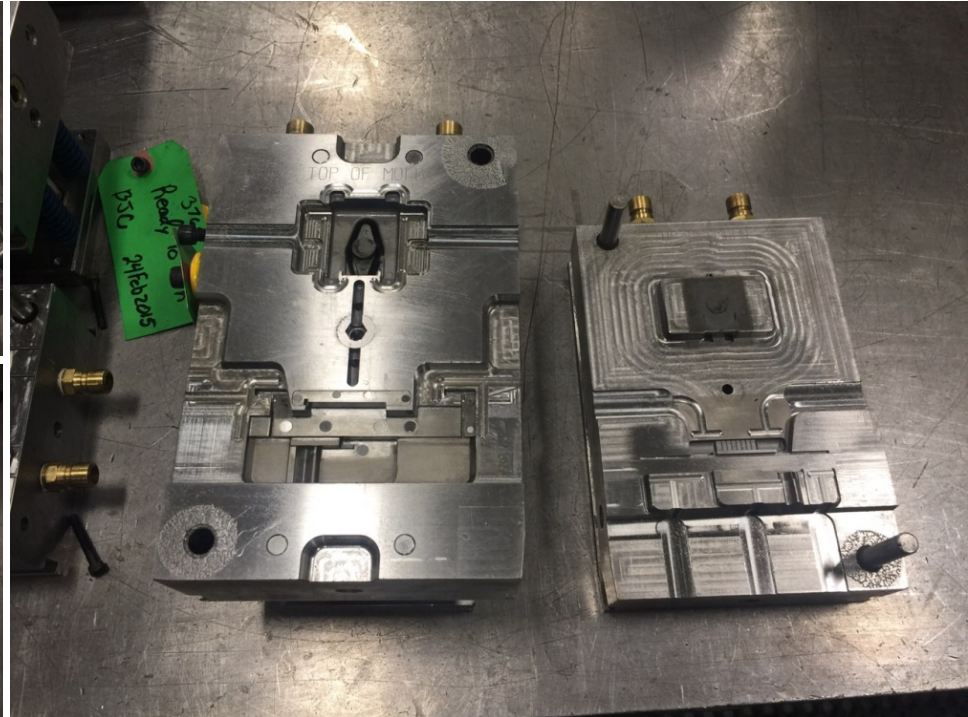
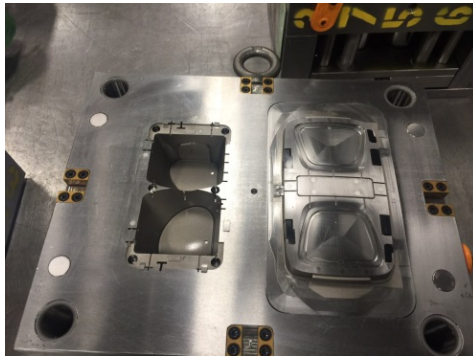
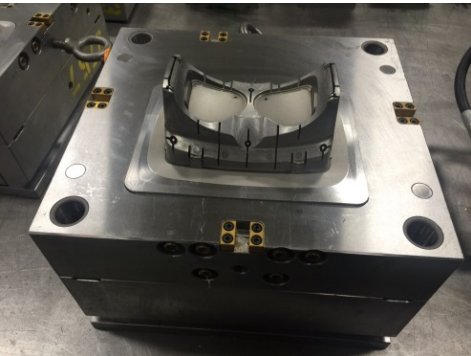
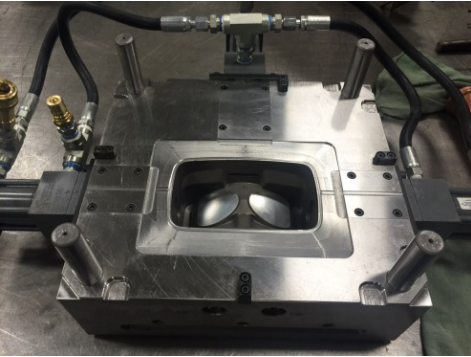
Production documentation.

Necessary to communicate “Critical To Function” dimensions and other information for 1st Article Quality Assurance.



Production release and support.

DiMonte Group expedited tooling quotes, 1st article QA, and production engineering support for the 1st production efforts of the GO.



Industrial Design
Design Engineering

30W125 Youghal Rd
Warrenville, IL, 60555

630-791-8074 telephone
www.dimontegroup.com

For further information about the DiMonte Group, please visit our website at www.dimontegroup.com.

Or, if you have specific questions about how the DiMonte Group might be of benefit to your organization, feel free to contact us directly by calling Mark Peters at 630-624-9554 or email to mpeters@dimontegroup.com.

We are always happy to discuss how we can help out. It's what we do.

